

4

3

2

1

D

D

C

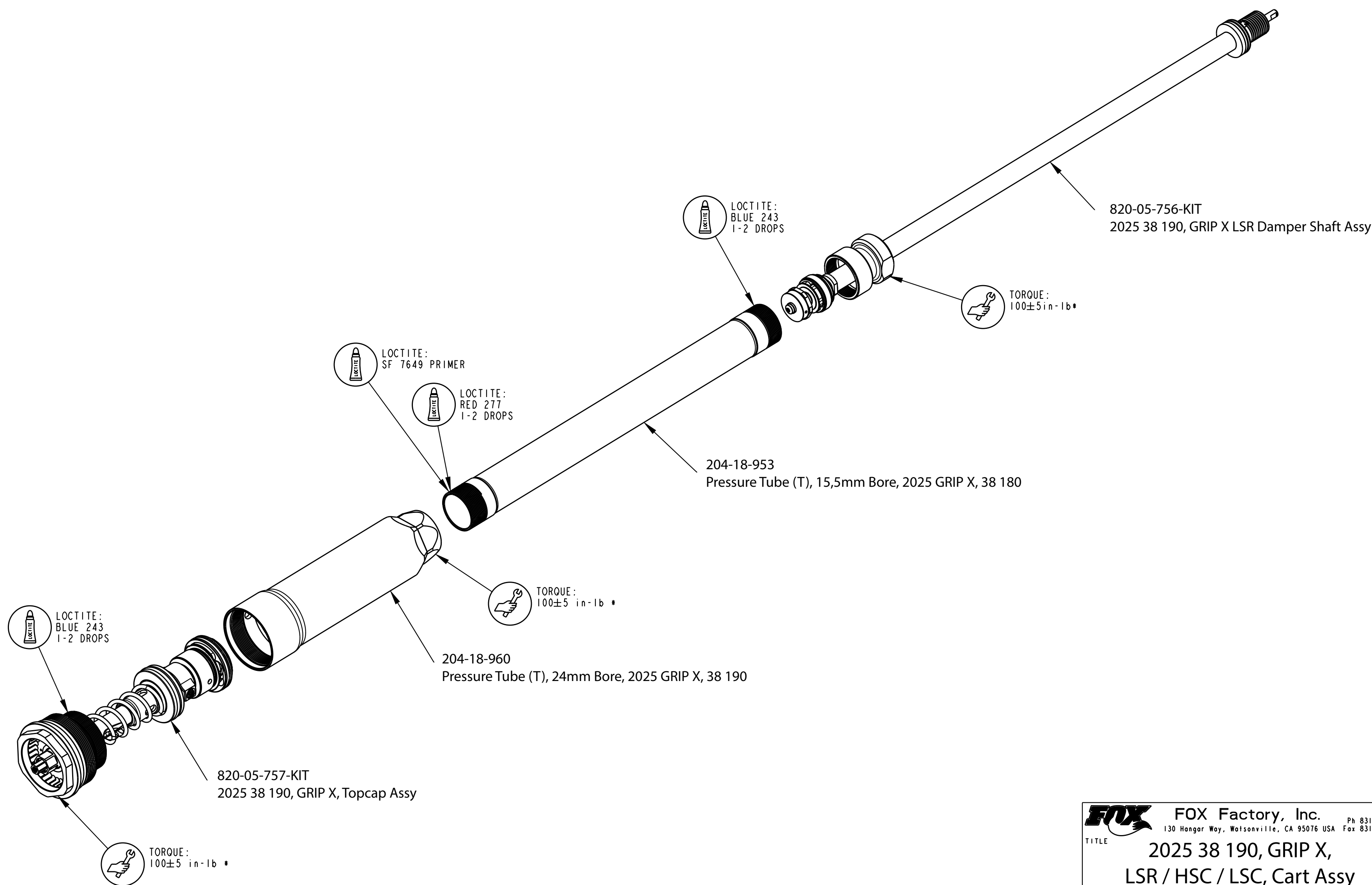
C

B

B

A

A



- PROPRIETARY -  
THIS DOCUMENT CONTAINS CONFIDENTIAL, PROPRIETARY INFORMATION  
THAT IS FOX PROPERTY. DO NOT DISCLOSE TO OR DUPLICATE  
FOR OTHERS EXCEPT AS AUTHORIZED BY FOX.

<b>FOX</b>		<b>FOX Factory, Inc.</b>	Ph 831-768-1100
		130 Hangar Way, Watsonville, CA 95076 USA	Fax 831-768-9312
TITLE			
2025 38 190, GRIP X, LSR / HSC / LSC, Cart Assy			
SIZE DWG. NO.			
C			
PLOT SCALE 1:1.2		SHEET 1 OF 1	

4

3

2

ProE ASSEM